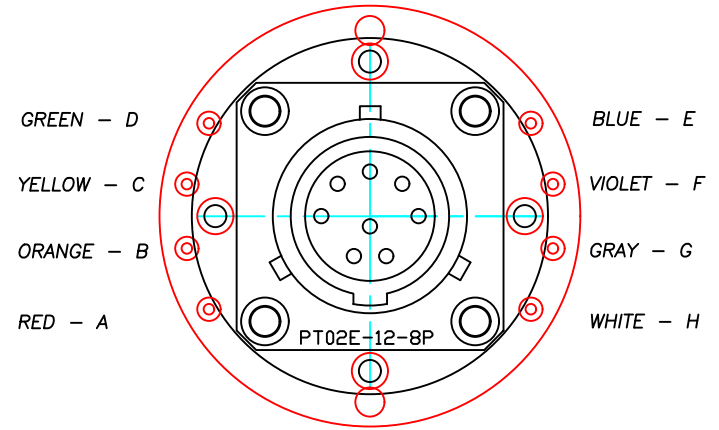
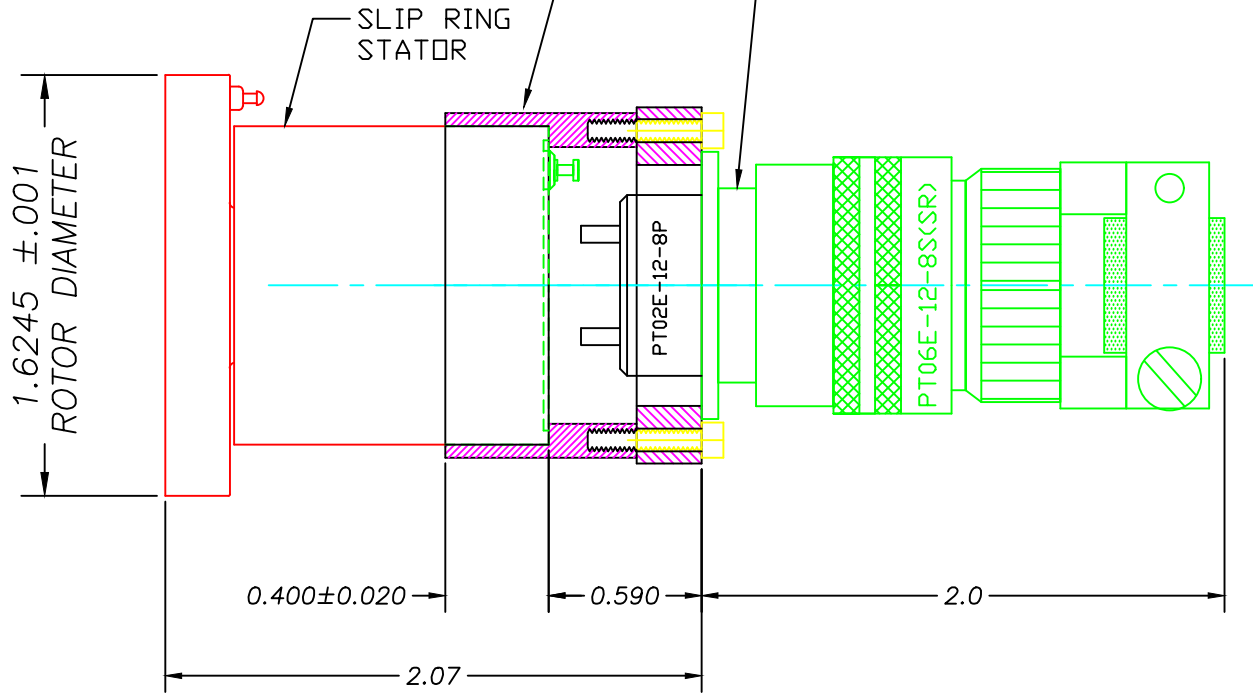


C232122B 2 PART ALUMINUM ADAPTER & PT02E-12-8P CONNECTOR ON S8 SLIP RING



MICHIGAN SCIENTIFIC CORP
 8500 ANCE ROAD
 CHARLEVOIX, MI 49720
 TEL: 231-547-5511
 FAX: 231-547-7070
 KDL 1-26-04

THE CONNECTOR ADAPTER IS GLUED ONTO THE SLIP RING STATOR WITH AN ADHESIVE SUCH AS HARDMAN 4002 EPOXY OR A LOCTITE RETAINING COMPOUND.

SLIP RING SOLDER TERMINAL COLOR	CONNECTOR PIN
WHITE	H
GRAY	G
VIOLET	F
BLUE	E
GREEN	D
YELLOW	C
ORANGE	B
RED	A